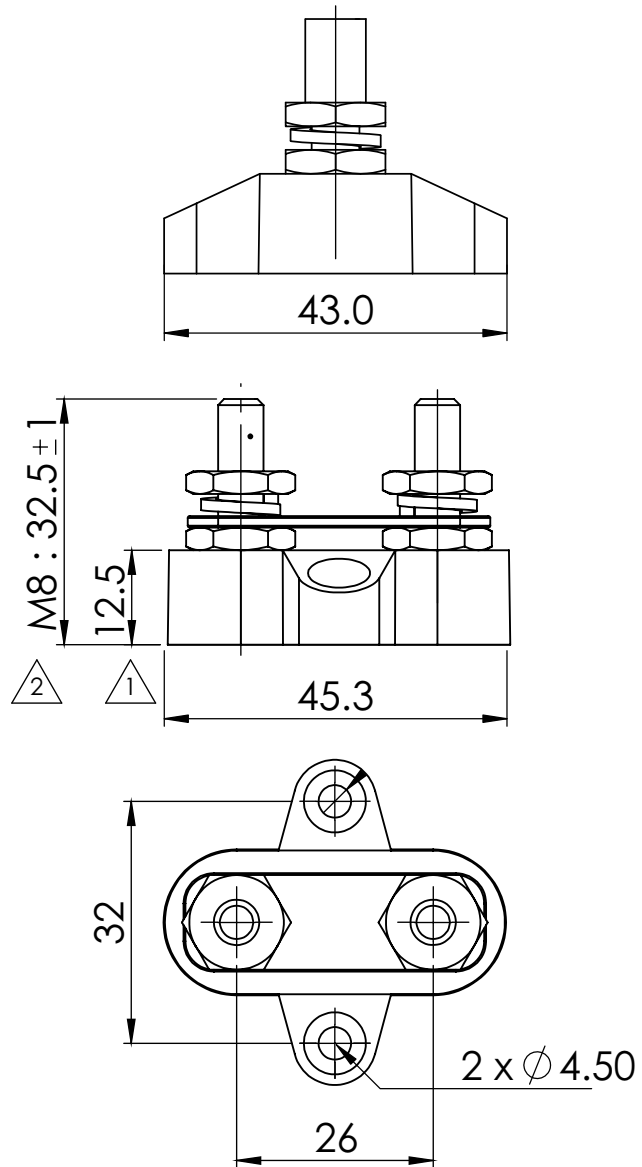
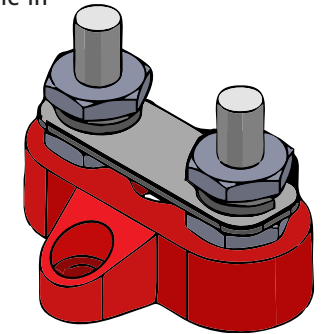


TECHNICAL DRAWING

TECHNICAL DATASHEET

Our Small Base Single & Dual Power Posts are compact in design and ideal for creating a centralised power distribution or grounding point. Several configurations are available in order to suit a variety of applications.



SPECIFICATIONS

PART NUMBER:	DESCRIPTION:	POST SIZE:	COLOUR:
SBRD_DPL-M8	Small Base - Dual Power Post with Connecting Link	M8	RED

Base Material:	Nylon, Glass Fibre Reinforced
Stud Material:	Stainless Steel
Screw Nuts Material:	Nickel-Plated Brass
Max Operating Voltage:	DC 48V
Max Amp per Circuit:	Determined by Wire Size Connected

FEATURES

- Allows terminating of heavy-duty cables for one or more connections
- Available in Red or Black
- Glass Fibre reinforced Nylon base ensures great mechanical strength and durability
- Insulated Base ensures no current leakage to mounting positions
- Heavy Duty Terminal Studs (up to M8)
- Small Base allows for easy installation in tight spaces



Trappans 8 J Ankeveen 1244RL NETHERLANDS
E: info@vte.nl P: 035-6565560

DATE:	2017.06.03	TITLE:	TERMINAL STUDS - SMALL BASE - DUAL POST LINKED M8							
CHK:	DEREK	UNIT:	m/m	REV:	0	Size	0.5-6	>6-30	>30-120	>120-400
		PROJ.:	3	Tol			+/-0.05	+/-0.1	+/-0.15	+/-0.2
DWG No.:	Bf413	RATIO:	1:1	COLOUR:	RED	REVISION: Δ Base Material Height change 11.0mm to 12.5mm				
		DO NOT SCALE DRAWING					Δ Screw nuts material Height change (mm) M8: 31 +/-1 to 32.5 =/-1			