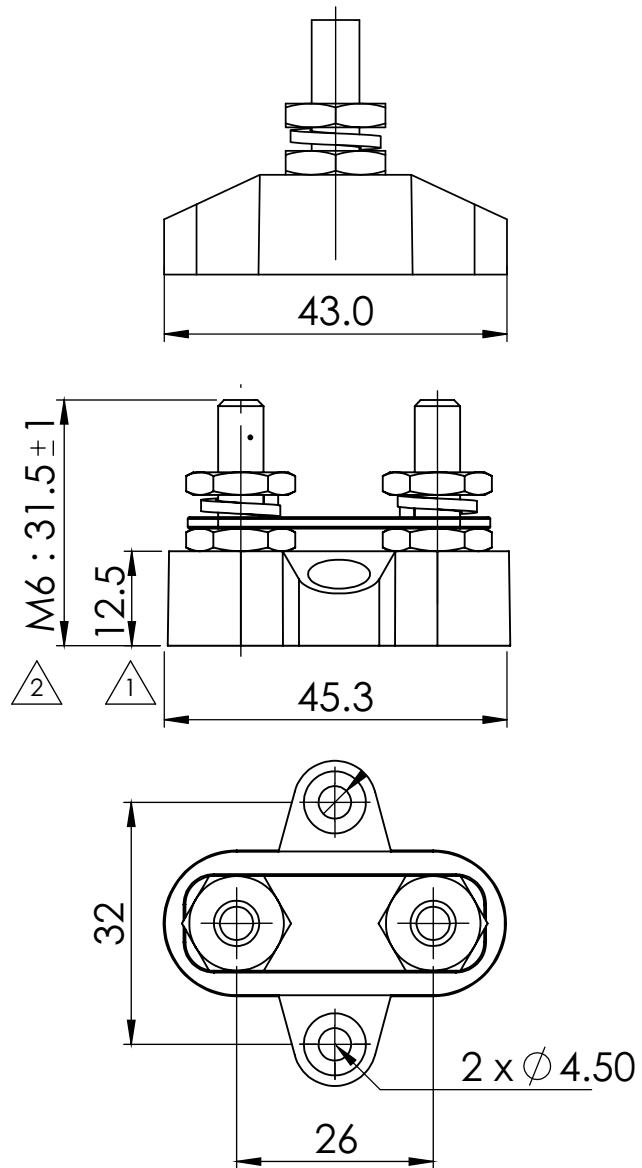
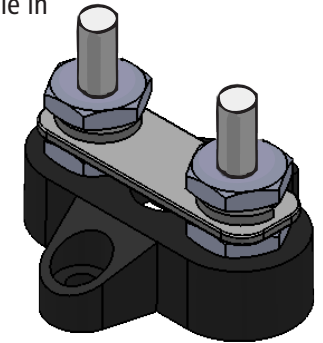


Our Small Base Single & Dual Power Posts are compact in design and ideal for creating a centralised power distribution or grounding point. Several configurations are available in order to suit a variety of applications.



SPECIFICATIONS

| PART NUMBER: | DESCRIPTION: | POST SIZE: | COLOUR: |
|--------------|---|------------|---------|
| SBBK_DPL-M6 | Small Base - Dual Power Post with Connecting Link | M6 | BLACK |

Base Material: Nylon, Glass Fibre Reinforced

Stud Material: Stainless Steel

Screw Nuts Material: Nickel-Plated Brass

Max Operating Voltage: DC 48V

Max Amp per Circuit: Determined by Wire Size Connected

FEATURES

- Allows terminating of heavy-duty cables for one or more connections
- Available in Red or Black
- Glass Fibre reinforced Nylon base ensures great mechanical strength and durability
- Insulated Base ensures no current leakage to mounting positions
- Heavy Duty Terminal Studs (up to M8)
- Small Base allows for easy installation in tight spaces



Trappans 8 J Ankeveen 1244RL NETHERLANDS
E: info@vte.nl P: 035-6565560

| | | | | | | | | | | |
|----------|------------|----------------------|---|---------|-------|---|---------|---|---------|----------|
| DATE: | 2017.06.03 | TITLE: | TERMINAL STUDS - SMALL BASE - DUAL POST LINKED M6 | | | | | | | |
| CHK: | DEREK | UNIT: | m/m | REV: | 0 | Size | 0.5-6 | >6-30 | >30-120 | >120-400 |
| | | PROJ.: | 3 | Tol | | | +/-0.05 | +/-0.1 | +/-0.15 | +/-0.2 |
| DWG No.: | Bf413 | RATIO: | 1:1 | COLOUR: | BLACK | REVISION: Δ Base Material Height change 11.0mm to 12.5mm | | | | |
| | | DO NOT SCALE DRAWING | | | | | | Δ Screw nuts material Height change(mm) M6: 30 +/-1 to 31.5 =/-1 | | |